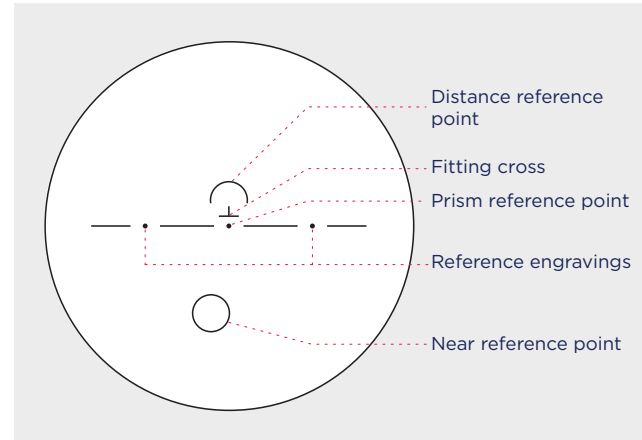


Fitting Progressive Lenses

1. Pre-adjust the frame and place on the customer.
2. Dot the demo lens in the center of the customer's pupil.
3. Place the dot over the fitting cross on the diagram.
4. Verify that the frame cut-out falls completely within the diameter circle of the lens blank for the material required.
 - If the frame cut-out does not fit within the lens diameter, select a different (smaller) frame.
5. Verify that both dashed horizontal lines on the diagram fit within the frame eye-wire (with no less than half the near circle as shown).
 - If the dashed lines do not fit inside the frame, readjust the fit or select a larger frame.



NOTES:

- All progressives provide full reading and intermediate areas when fitted correctly.
- It's generally recommended for adequate distance, frames allow a minimum of 10mm above the fitting cross (e.g. 10mm above the fitting cross + 18mm minimum fitting height = minimum frame 'B' measurement of 28mm).

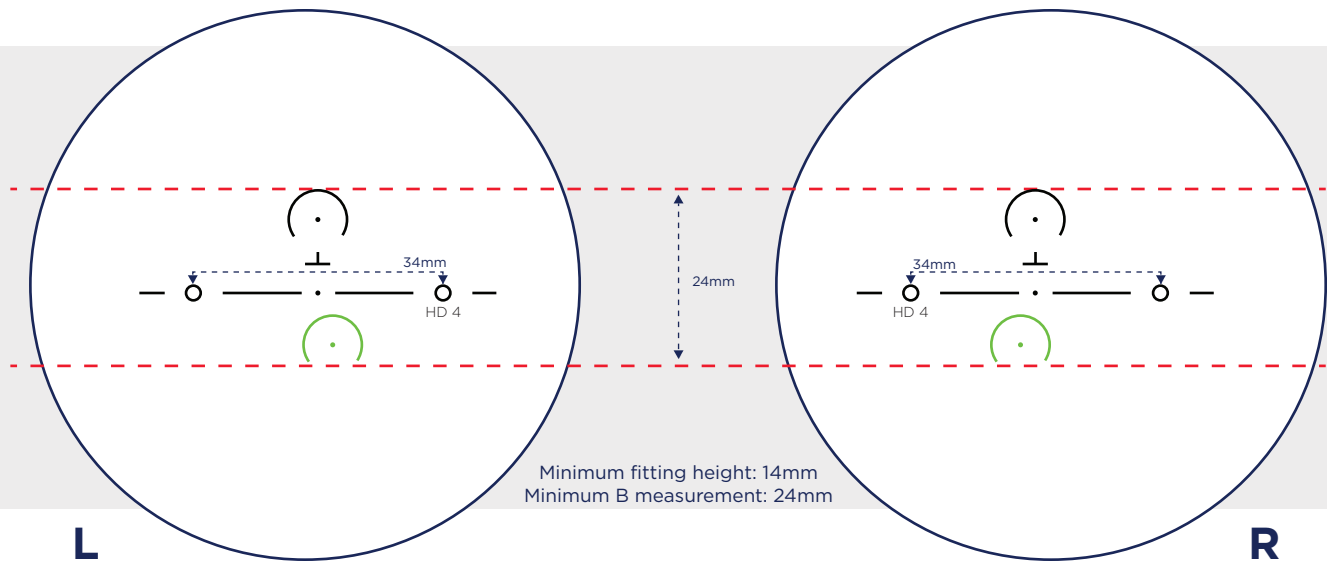
Davis Vision Ultra Progressive Rx Parameters

	Sphere	Cylinder	Total Power	Prism	Add Power
MyFocal™ HD Plastic 14, 16, 18	+6.00 to -12.25	±5.00	+6.00 -12.25	≤ 4Δ	.75 to 3.50
MyFocal™ HD Poly 14, 16, 18	+6.00 to -13.00	±5.00	+6.00 -13.00	≤ 4Δ	.75 to 3.50
MyFocal™ HD Hi-Index 1.67 14, 16, 18	+8.00 to -13.00	±5.00	+8.00 -13.00	≤ 4Δ	.75 to 3.50

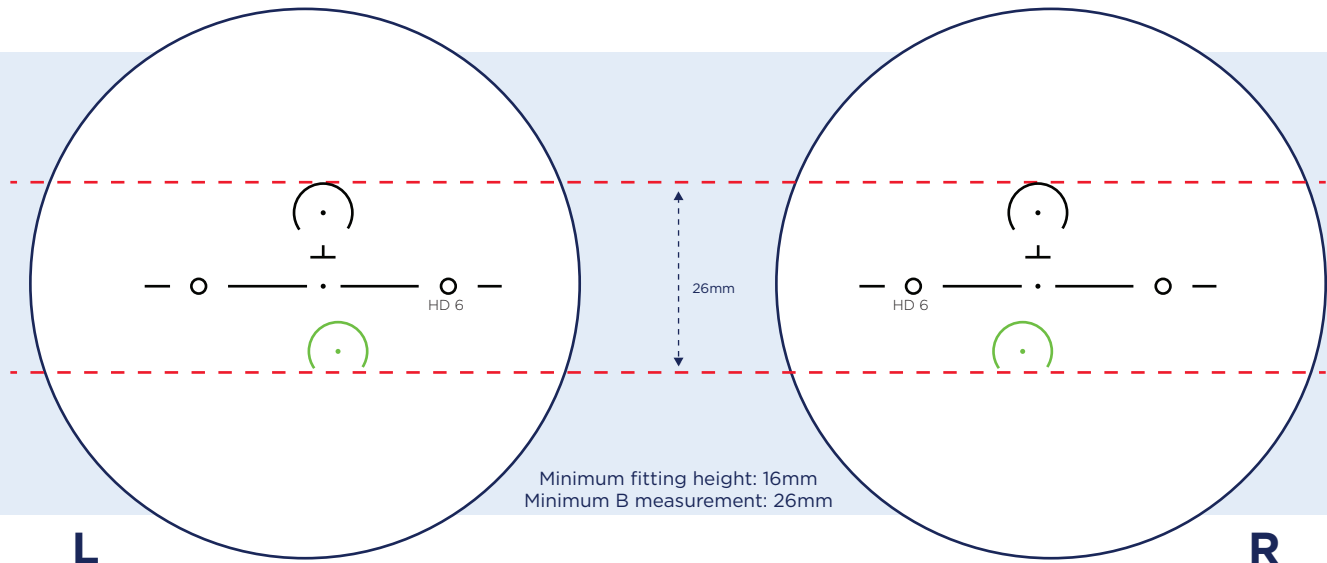
Note: Shamir InTouch parameters to be used on separate Fitting Guide

Shamir InTouch™ Plastic 15, 18	+6.00 to -12.25	±5.00	+6.00 -12.25	≤ 4Δ	.75 to 3.50
Shamir InTouch™ Poly 15, 18	+6.00 to -13.00	±5.00	+6.00 -13.00	≤ 4Δ	.75 to 3.50
Shamir InTouch™ Hi-Index 1.67 15, 18	+8.00 to -13.00	±5.00	+8.00 -13.00	≤ 4Δ	.75 to 3.50

MyFocal™
HD 14



MyFocal™
HD 16



MyFocal™
HD 18

